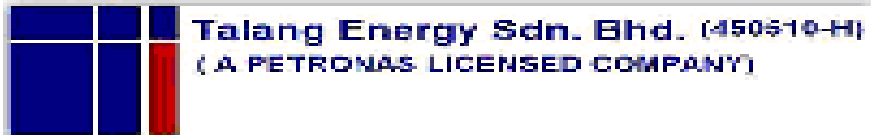


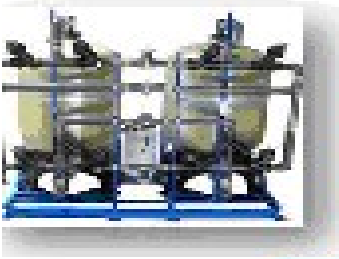
PRODUCT BROCHURE



Sidebar Heading

- **Water Treatment System**
- **Pumps**
- **Air Compressor / Gasket / Valve / Filter**
- **Nozzles**
- **Industrial Chemicals**
- **Test Equipments**
- **Trash Compacting and Recycling Equipments**
- **Automation, Control and Instrumentation Products**
- **Lifting Equipments**
- **Solar Products**
- **Others as Specify and Request**

TALANG ENERGY SDN BHD



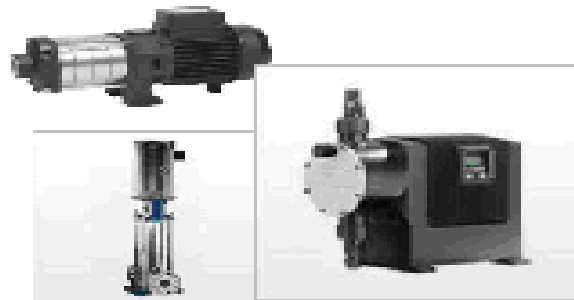
Water Treatment System

We are here to attend to all your water purification needs. Our products range includes the following system and components.

Seawater / Brackish Water Reverse Osmosis / Ultrafiltration / Ion Exchange System / Filtration and Pretreatment Equipments / Multimedia Water Filters / Desalination System / Chemical Dosing Equipments / Cartridge Water Filters / UV Sterilizers / Water Makers / Ozonators / Filter Housing / Water Softeners.

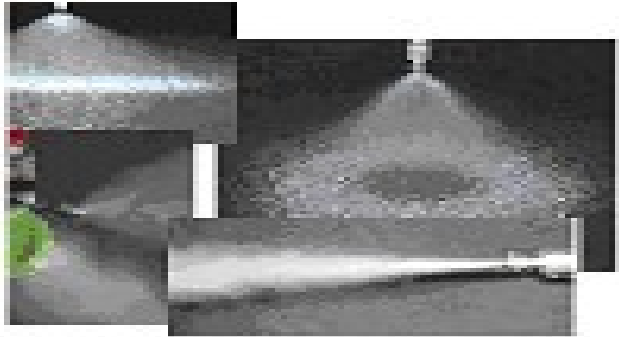
Pumps

- Centrifugal
- Reciprocating
- Submersible
- Single and Two Stage
- Multi Stage
- Specialized



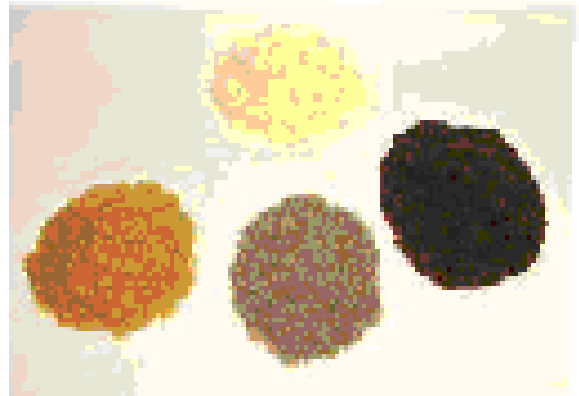
Nozzles

- Hydraulic
- Pneumatic
- Air
- Humidifier
- Tank Cleaner
- Cooling System
- Mist Solution



Industrial Chemicals

- Reagents
- Solvents
- High Purity Chemicals
- Water Disinfectants
- Pharmaceutical and Fine Chemicals
- Plastics / Resins / Rubber
- Petroleum Additives
- Wood Treatment
- Rust Preventer
- Biodegradable Cleaners
- Aluminum Treatment
- Degreasers
- Paint Stripper
- Aircon Cleaners



TALANG ENERGY SDN BHD

Test Equipments

- Compressive Strength
- Permeability Tester
- Cement Density
- Core Drill
- Completions Testing
- Corrosions Testing
- Drilling Fluids Testing



Trash Compacting and Recycling Equipments



- Crushing Machine
- Water Plastics Recycling Machine
- Non Ferrous Scrap Metal
- Manufacturing Print Waste
- Material Recovery Facility General Recycling
- Trash Compactors (General / Hazardous)
- Compactors Bags
- Drum Crushers
- Food Grinders
- Balers

TALANG ENERGY SDN BHD

Automation, Control and Instrumentation Product

- Surveillance System
- Control System
- AES Server
- Flow Management Software



Lifting Equipments



- Material Hoist
- Personnel Hoist
- High Speed Wire Rope Hoist
- Scaffold Hoist
- Permanent Elevator
- Roofing Hoist

TALANG ENERGY SDN BHD

Solar Products



Techno Solar Device – TSD utilizing the latest solar cell German technologies and engineering expertise, by bring forward many wonderful solar powered applications. Our mission is enabling solar energy as today solutions for better environment.

Solar energy is clean, renewable and environmental friendly. Solar powered products help saving money, creating better environment for us and future generations. With many good reasons, let start utilizing the sun energy today and make the world a better place!